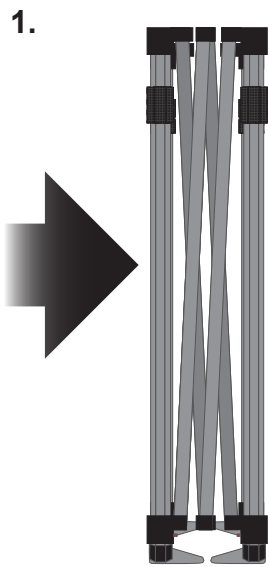
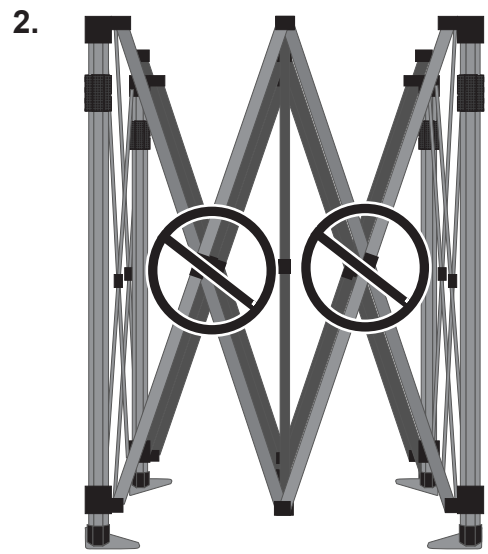


10' x 10' CUSTOM EVENT TENT SET-UP INSTRUCTIONS

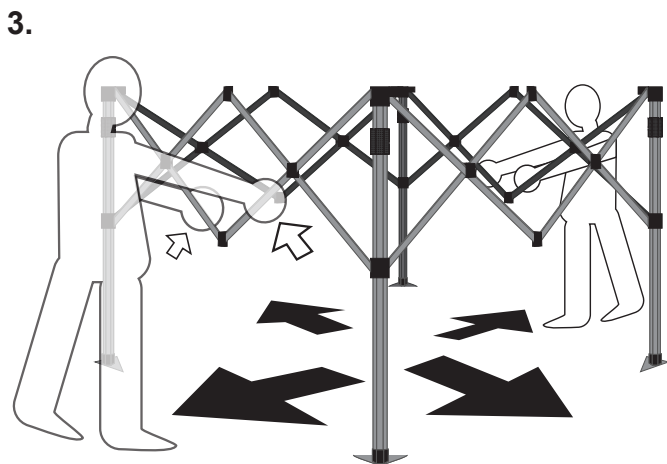
Two people are recommended
for tent set-up.



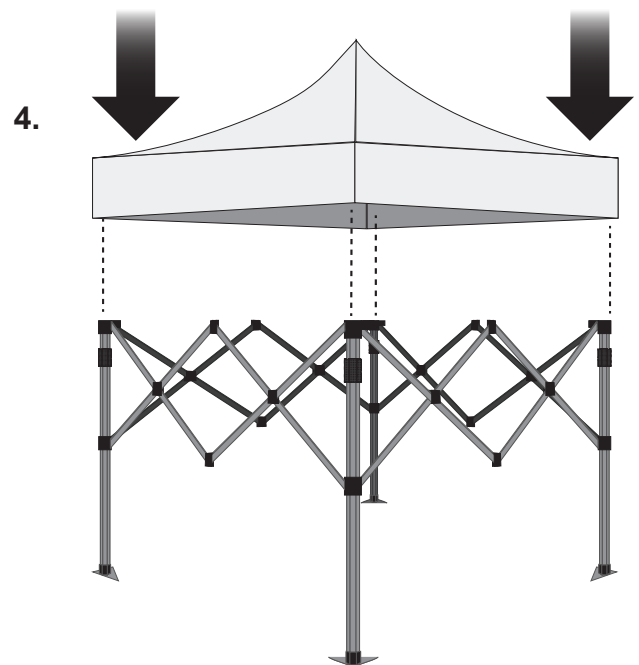
Remove hardware from
carrying bag.



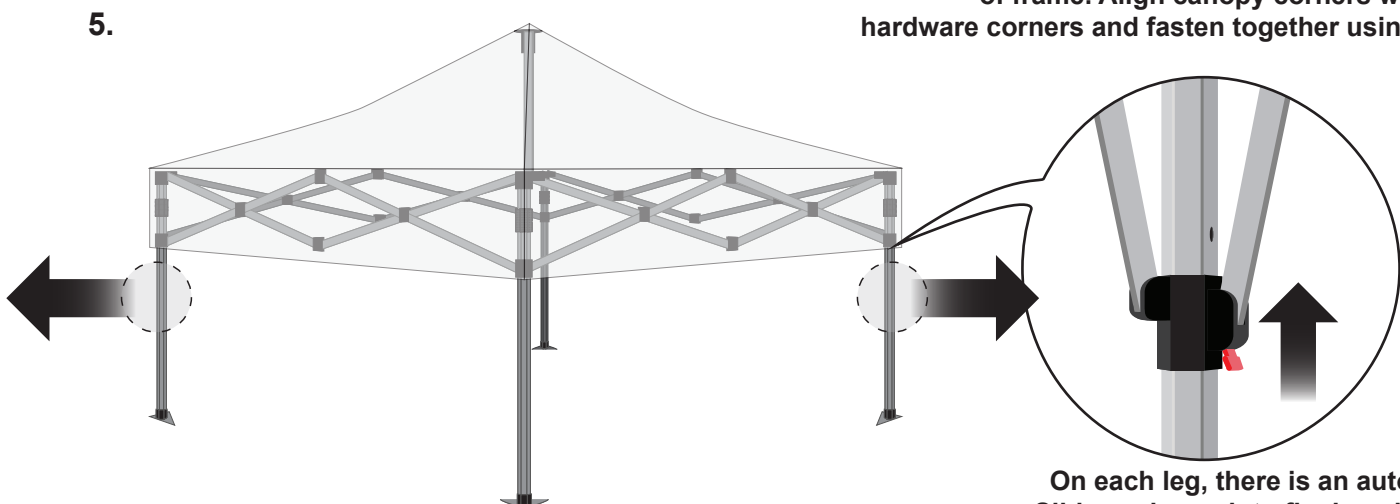
Be careful of the scissor sections of
hardware as they are a pinching hazard.



Standing across from each other, two people should
use the center "V" of the hardware and lift up while
stepping back. This will expand the frame. Stop
when the frame is roughly 5 feet wide.



Unpack canopy graphic. Place on top
of frame. Align canopy corners with
hardware corners and fasten together using the velcro.



Standing across from each other. Two people can each take a leg
lift up and step back. Expand the tent to the full 10 feet.

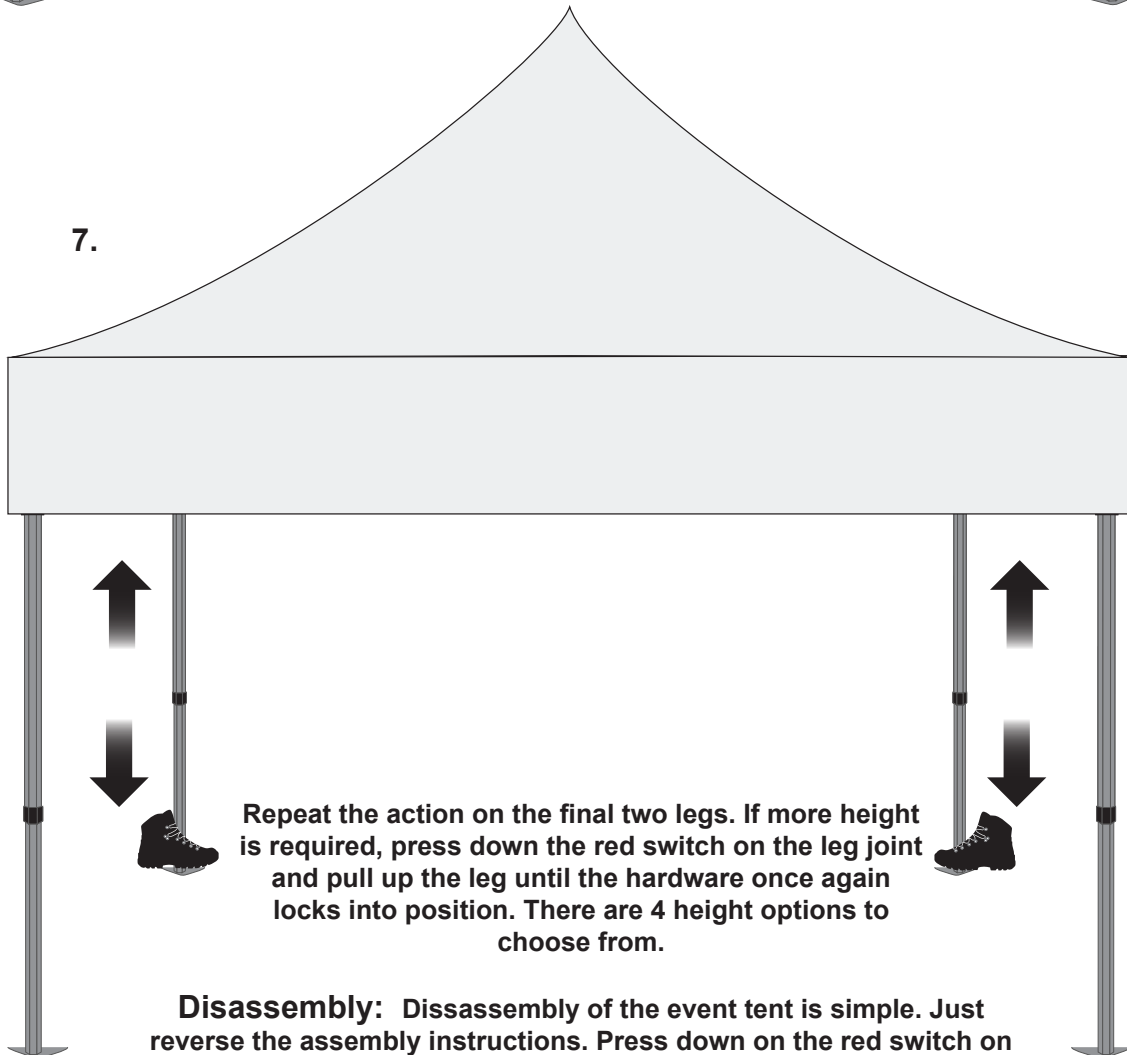
On each leg, there is an auto-slider.
Slide each one into final position until
they lock into place with a "Click".

6.



Now to raise the tent. Stepping on the traingular foot, pull up on the hex hardware. The leg hardware will telescope up until it locks into the lowest raised position. This is easiest with a partner doing the same on the neighboring leg.

7.



Repeat the action on the final two legs. If more height is required, press down the red switch on the leg joint and pull up the leg until the hardware once again locks into position. There are 4 height options to choose from.

Disassembly: Dissassembly of the event tent is simple. Just reverse the assembly instructions. Press down on the red switch on the leg joints and the auto-sliders to unlock the hardware.